

# H.D. LAWN ROLLER

(24" Dia. x 48" Wide)



0 52613 45216 5

## SPECIFICATIONS:

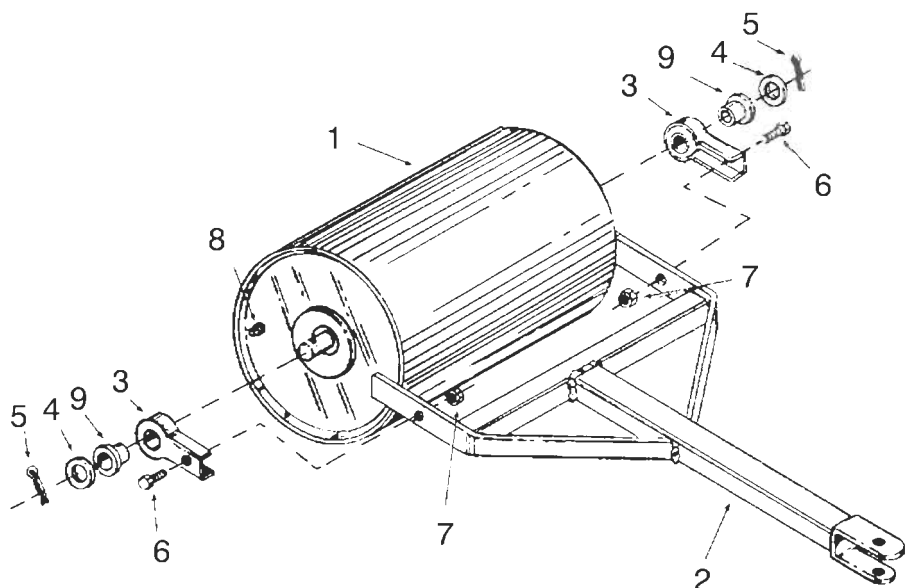
<b>Roller Drum:</b>	Dia. 24" x 48" Wide, Heavy Ga. Welded Steel
<b>O.A. Width:</b>	Approx. 51-3/4"
<b>Bearings:</b>	1" I.D., Replaceable
<b>Tow Hitch:</b>	St'dPin Type - 5/8" Hole
<b>Weight w/ Water:</b>	Up to 910 Lbs. Filled with Water (Note: May be filled with sand)
<b>Approx. Sh. Wt.:</b>	170 Lbs. (2Pcs.)



## SAFETY PRECAUTIONS

1. **Never** attach a garden hose to the fill/drain hole when filling. Dangerous pressure build up could occur inside roller.
2. Do not fill roller to maximum weight without checking capability of vehicle to safely pull and stop.
3. Never use roller up and down hills; always work across hills and slopes.
4. Use caution when turning, slowing or stopping.
5. Always drain roller to keep from freezing.

1. Remove two hex bolts (Ref. No. 6) and hex nuts (Ref. No. 7) from axle brackets.
2. Place the hitch assembly (Ref. No. 2) in position in the axle brackets (Ref. No. 3).
3. Secure hitch assembly with hardware, you removed in step 2.



### PARTS LIST FOR LAWN ROLLER MODEL 45-0216

Ref. No.	Part No.	Description	Ref. No.	Part No.	Description
1	62811	Lawn Roller Ass'y	6	43063	Hex Bolt 5/16-18 x 1.00" Lg.
2	62810	Hitch Ass'y	7	43064	Hex Lock Nut 5/16-18
3	23397	Bearing Mount Bracket	8	43709	Plug 1"
4	43528	Flat Washer 1" Std.	9	43632	Bearing
5	43501	Cotter Pin 5/32" Dia. x 1-1/2" Lg.			

#### REPAIR PARTS

303 West Raymond St.

Sullivan, IL. 61951 - Telephone (217) 281-8388

[www.mymowerparts.com](http://www.mymowerparts.com)

Part No. 44713 (Rev. 3/93)